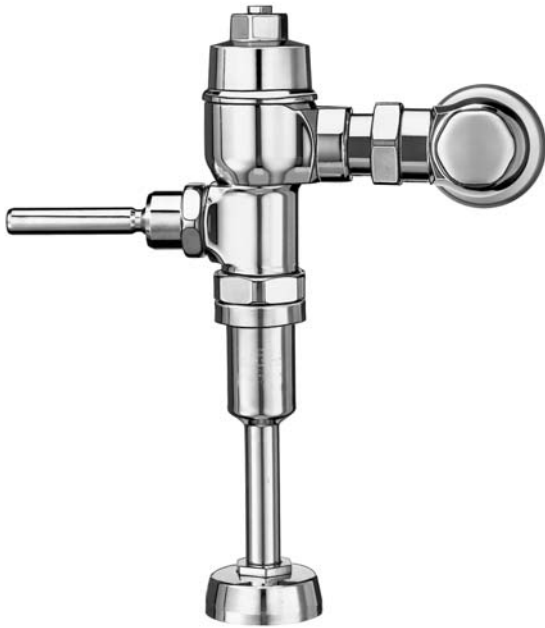


Naval® Model Flushometer

186-1.0



► Description

Exposed Urinal Flushometer for 3/4" top spud urinals. Especially suited for harsh water conditions.

► Flush Cycle

Model 186-1.0 (factory set at 1.0 gpf/3.8 Lpf)

Valve Adjustment Range: 0.5 gpf/1.7 Lpf to 3.0 gpf/11.4 Lpf

► Specifications

Quiet, Exposed, Adjustable Piston Type, Chrome Plated Urinal Flushometer with the following features:

- ADA Compliant Metal Oscillating Non-Hold-Open Handle
- Self-cleaning Xpelor® Bypass
- 3/4" I.P.S. Screwdriver Bak-Chek™ Angle Stop
- Vandal Resistant Stop Cap
- Adjustable Tailpiece
- Vacuum Breaker Flush Connection
- Spud Coupling and Flange for 3/4" Top Spud
- Stamped Wall Flange
- Ultra High Copper, Low Zinc Brass Castings for Dezincification and Salt Water Resistance
- Handle Packing, Stop Seat and Vacuum Breaker to be Molded from PERMEX™ Rubber Compound for Chloramine Resistance

Valve Body, Cover, Tailpiece and Control Stop shall be in conformance with ASTM Alloy Classification for Red Brass. Valve shall be in compliance to the applicable sections of ASSE 1037, ANSI/ASME 112.19.6, and Military Specification V-29193.

► Variations

GJ Ground Joint Stop and Tailpiece

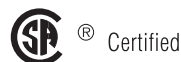
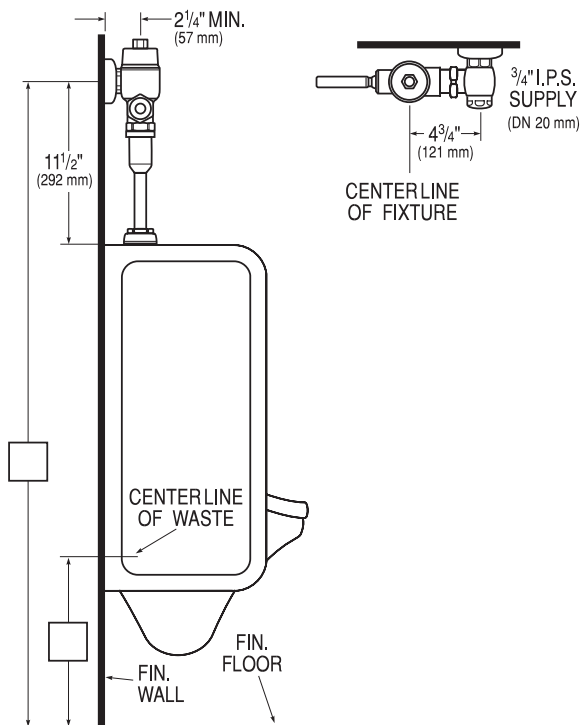
XYV Less Vacuum Breaker

YB Sweat Solder Adapter Kit

YBYC Sweat Solder Adapter & Cast Set Screw Wall Flange

Ground Joint Stop (GJ) recommended for salt water applications. Vacuum Breaker usually not required when used with non-potable water (specify XYV Variation).

See Accessories Section of the Sloan catalog for details on these and other Flushometer variations.



This space for Architect/Engineer approval

The information contained in this document is subject to change without notice.

SLOAN®

Made in the U.S.A.

SLOAN VALVE COMPANY • 10500 SEYMOUR AVE. • FRANKLIN PARK, IL. 60131
Ph: 1-800-9-VALVE-9 or 1-847-671-4300 • Fax: 1-800-447-8329 or 1-847-671-4380

<http://www.sloanvalve.com>